

PARTS LIST



SPREADMASTER

Previously known as C-Dax Spreadmaster.

yeloTM
MADE TO WORK

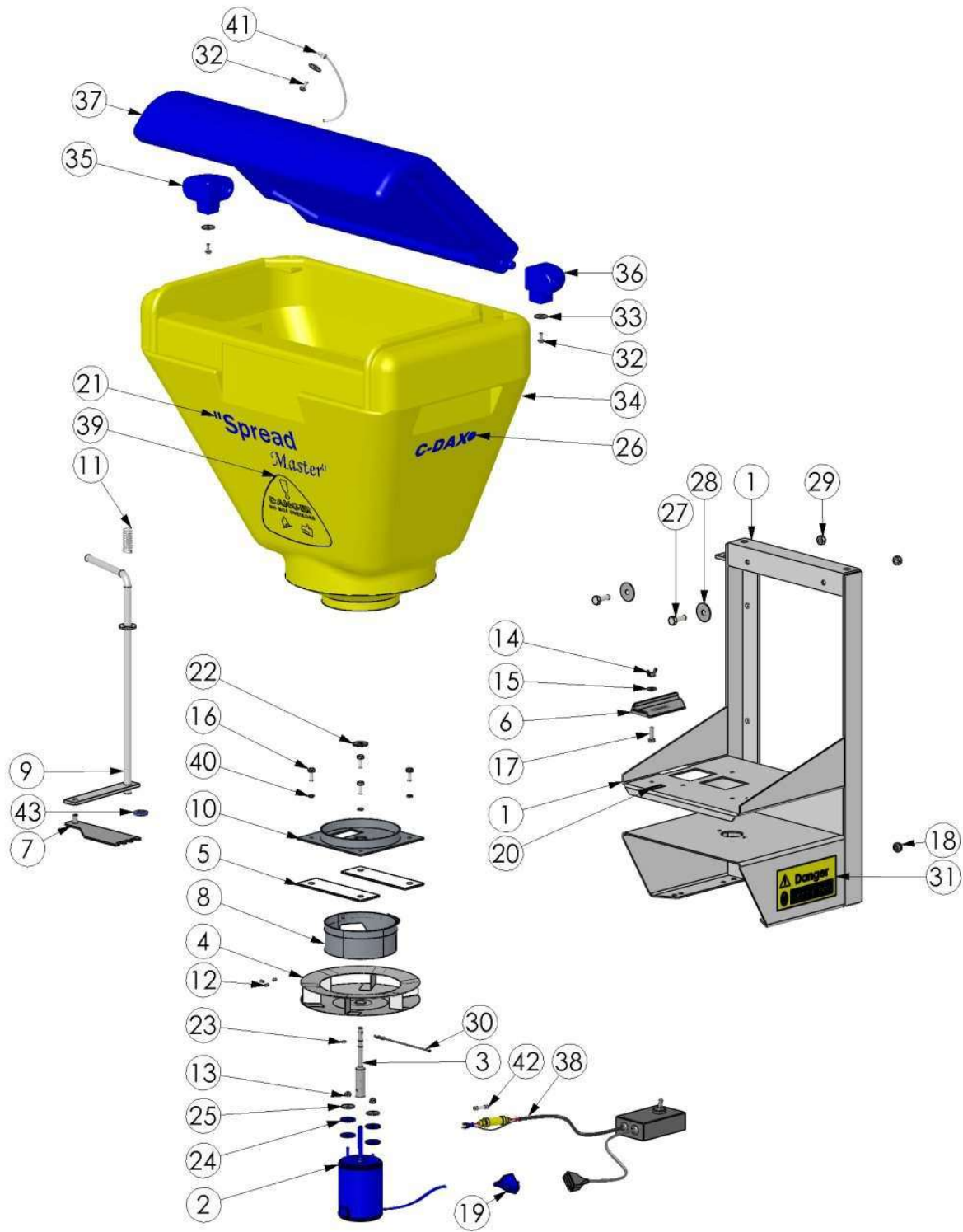
P 0800 853 002
E info@yelo-agri.com
W www.yelo-agri.com

PARTS & SUPPORT

For parts and service support, contact your authorised Yelo store or visit our website for store locations. If you need further assistance, we are only a phone call or email away. Parts list included.

RGL

EXPLODED PARTS DIAGRAM – SPREADMASTER



PARTS LIST – SPREADMASTER

Item No.	QTY	Part No	Description
1	1	3500-6000	Frame-Spreader-Spreadmaster G2-GI
2	1	5240-1000	Motor-12vdc 150w-Spread/Slugmaster
3	1	5200-7000	Machined-Shaft-Spinner Drive-Slugsreadmaster-Stainless
4	1	8200-8300	Spinner-Spreadmaster-Ss
5	2	6240-5700	Plate-Packer-Spreadmaster-Sm70-Umphe
6	1	6500-1750	Profiled-Choke-Spreadmaster 62-Stainless
7	1	7980-7905	Shutter-Spreadmaster-Incl Pin-Stainless
8	1	1975-7710	Chute-Delivery-Spreadmaster-Stainless
9	1	4050-8000	Handle-Spreadmaster-SM70-ZP
10	1	6240-5500	Plate-Orifice-Spreadmaster-Incl Spigot-Stainless
11	1	8250-1900	Spring-Compression-Lock-Superline-Spreadmaster-ZP
12	3	3010-0406	Fastener-Grub Screw-Socket Head-M4X6-Stainless
13	2	3150-5100	Fastener-Nut-Nuloc-3/16-UNF-ZP
14	1	3200-0206	Fastener-Nut-Wing-M6-ZP
15	1	3310-6006	Fastener-Washer-Flat-M6-ZP
16	4	3290-0616	Fastener-Set-Screw-Hex-8.8 Grade-M6x16-ZP
17	1	3290-0620	Fastener-Set-Screw-Hex-8.8 Grade-M6x20-ZP
18	1	3880-0006	Grommet-Insulating-6x11.0mm-Rubber
19	1	6250-3001	Plug-Electrical-2 Pin-Male-20 Amp-With Cover
20	1	4600-1320	Label-Calibration-Spreadmaster
21	1	4600-6640	Label-Name-Spreadmaster-Meyer
22	1	9100-3020	Washer-Flat-Himould-9IDx25ODx2mm-Black-Plastic
23	1	1980-0008	Circlip-External-8mm-DIN471-Stainless

24	4	3700-9210	Gasket-Washer-5x25x1.6-Black-Neoprene
25	2	3310-9210	Fastener-Washer-Flat-3/16"x7/8"x1.5-Grade 304-Stainless
26	2	4600-6030	Label-Name- <u>Small</u> -55x100-Vinyl
27	2	3290-0825	Fastener-Set Screw-Hex-8.8 Grade-M8x25-ZP
28	2	3310-3008	Fastner-Washer-Flat-Fender-M8x32x1.5-ZP
29	2	3170-0008	Fastener-Nut-Nyloc-M8-ZP
30	1	3410-1100	Rail-Agitator-Spreadmaster G2-Including Clips
31	2	4600-2000	Label-Danger-Keep-Clear
32	3	3090-0512	Fastener-Machine-Screw-Pan-M5x12-Philips-Stainless
33	3	3310-9210	Fastener-Washer-Flat-3/16"x7/8"x1.5-Grade 305-Stainless
34	1	7500-2220	Rota-Hopper-Spreader-Spreadmaster SM70-Yellow-MDPE
35	1	7500-2000	Rota-Hinge-LH-SM70/75,Magmaster-MDPE
36	1	7500-2010	Rota-Hinge-RH-SM70/75,Magmaster-MDPE
37	1	7500-2520	Rota-Lip-Hopper-SM70/75L,Magmaster-MDPE
38	1	1500-6600	Cable-Electrical-Loom-Spreadmaster-Control Box-1.50M
39	1	4600-5180	Label-MIG-Danger/Overload
40	4	3330-8006	Fastener-Washer-Spring-M6-ZP
41	1	2230-1100	Cord-Arrestor-Hinged Spreader Lid
42	1	3600-4000	Fuse-Link-Standard Blow-20 Amp-1/4"x1 1/4"-Glass
43	1	3700-9120	Gasket-Washer-12.5x24x3.2-Blue-Sanoprene