

PARTS LIST



MAGMASTER 65 SPREADER

Previously known as C-Dax Spreadmaster.



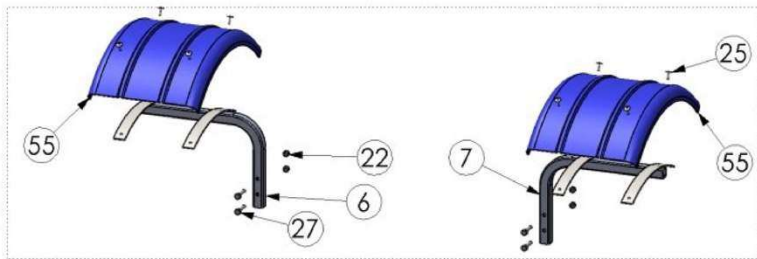
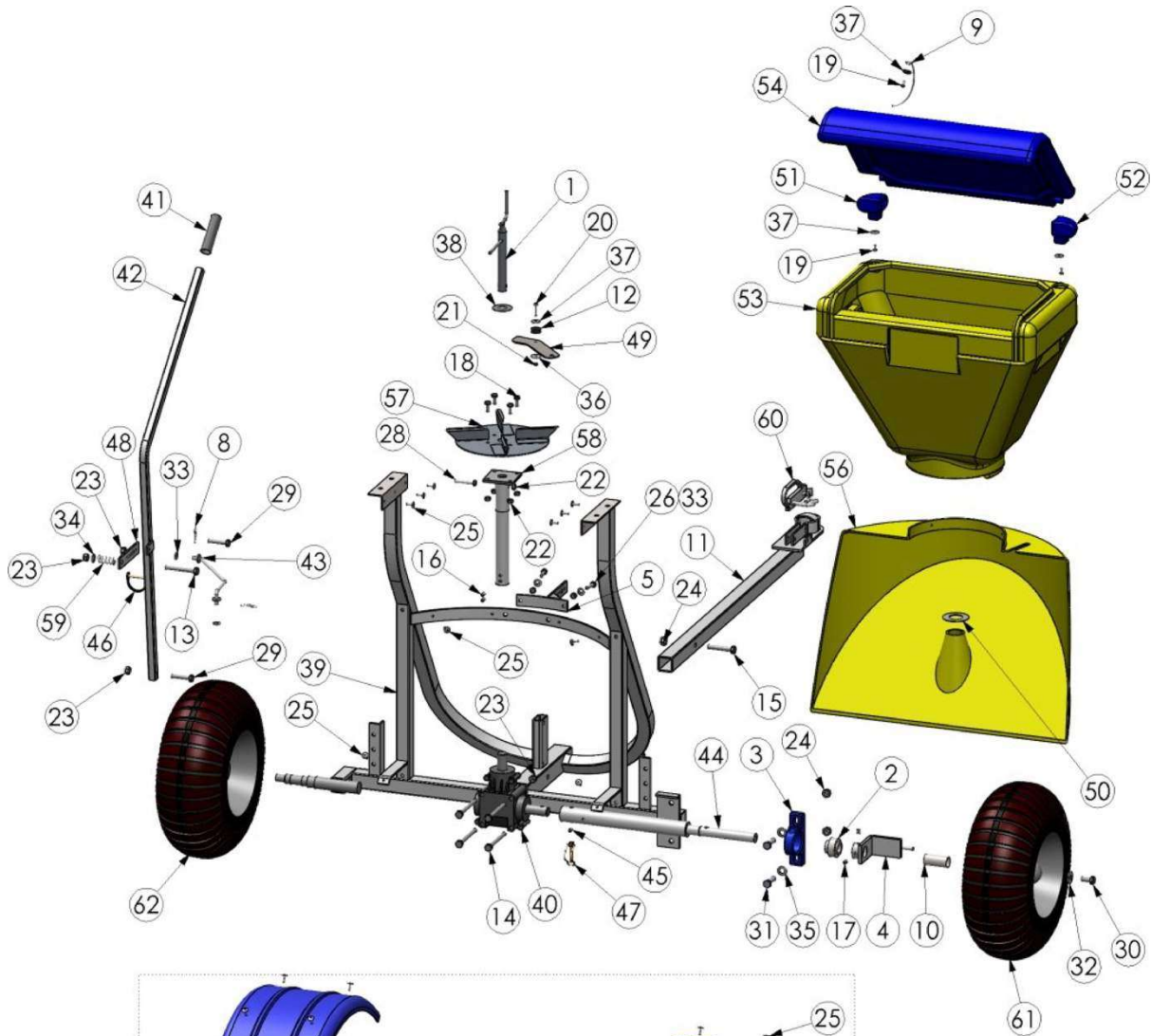
P 0800 853 002
E info@yelo-agri.com
W www.yelo-agri.com

PARTS & SUPPORT

For parts and service support, contact your authorised Yelo store or visit our website for store locations. If you need further assistance, we are only a phone call or email away. Parts list included.



EXPLODED PARTS DIAGRAM – MAGMASTER 65



Optional Extra: 1300-6810 Mudguards

PARTS LIST – MAGMASTER 65

Item No.	QTY	Part No	Description
1	1	1036-8230	Agitator-Spreader-Magmaster-SS
2	1	1140-1200	Bearing-Ball-Pillow Block-Drive Axle-Spreaders
3	1	1140-4000	Bearing-Housing-Pillow Block-Drive Axle-Spreaders
4	1	1300-4100	Bracket-Drive-130L/MAG/165L-Spreaders-ZP
5	1	1300-4550	Bracket-Handle Position-Index-RH-MM65-ZP
6	1	1300-6800	Bracket-Mudguard-CDIT300/400/MM165-LH-GL
7	1	1300-6801	Bracket-Mudguard-CDIT300/400/MM165-RH-GL
8	2	2050-7300	Clip-R Type-Pin-2.5MM-ZP
9	1	2230-1100	Cord-Arrestor-Hinged Spreader Lid
10	1	2250-1000	Cover-Axle Shaft-55mm Long-Spreader 130L/165L/Magmaster-SS
11	1	2550-1300	Drawbar-Magmaster 65-GL
12	1	2700-0750	Fabricated-Plastic-Round-OD 25x9mm Long-Drilled-UHMWPE
13	1	2840-1080	Fastener-Bolt&Nut-Hex-8.8 Grade-M10x80-ZP
14	4	2840-1110	Fastener-Bolt&Nut-Hex-8.8 Grade-M10x110-ZP
15	1	2840-1265	Fastener-Bolt&Nut-Hex-8.8 Grade-M12x65-ZP
16	2	3010-0810	Fastener-Grub Screw-Socket Head-M8x10-Stainless
17	2	3010-5200	Fastener-Grub Screw-Socket Head-3/8x3/8-Stainless
18	4	3075-0820	Fastener-Set-Screw-Hex-304 Grade-M8x20-Stainless
19	3	3090-0512	Fastener-Machine-Screw-Pan-M5x12-Phillips-Stainless
20	1	3090-0530	Fastener-Machine-Screw-Pan-M5x30-Phillips-Stainless
21	1	3130-0105	Fastener-Nut-Nyloc-M5-Stainless
22	11	3170-0008	Fastener-Nut-Nyloc-M8-ZP
23	7	3170-0010	Fastener-Nut-Nyloc-M10-ZP

24	3	3170-0012	Fastener-Nut-Nyloc-M12-ZP
25	18	3240-0018	Fastener-Rivet-Blind-Truss Head-3/16x18mm-Aluminium
26	2	3290-0830	Fastener-Set Screw-Hex-8.8 Grade-M8x30-ZP
27	4	3290-0840	Fastener-Set Screw-Hex-8.8 Grade-M8x40-ZP
28	1	3290-0850	Fastener-Set Screw-Hex-8.8 Grade-M8x50-ZP
29	2	3290-1050	Fastener-Set Screw-Hex-8.8 Grade-M10x50-ZP
30	1	3290-1225	Fastener-Set Screw-Hex-8.8 Grade-M12x25-ZP
31	2	3290-1240	Fastener-Set Screw-Hex-8.8 Grade-M12x40-ZP
32	1	3310-5012	Fastener-Washer-Flat-Heavy-M12x32x3-Galv
33	4	3310-6008	Fastener-Washer-Flat-M8-ZP
34	1	3310-6010	Fastener-Washer-Flat-M10-ZP
35	2	3310-6012	Fastener-Washer-Flat-M12-ZP
36	1	3310-9104	Fastener-Washer-Flat-3/16"x1"-ZP
37	4	3310-9210	Fastener-Washer-Flat-3/16"x7/8"x1.5-Grade 304-Stainless
38	1	3310-9750	Fastener-Washer-Flat-23.5x2"x1.5-Grade 316-Stainless
39	1	3500-5800	Frame-Spreader-Magmaster-GL
40	1	3800-2000	Gearbox-Ferroni-RV12-2-6-Ratio 1 to 3.25
41	1	3865-3800	Grip-Handle-7/8"-PVC-Black-Plastic
42	1	4050-1300	Handle-Magmaster 65-ZP
43	1	5050-7920	Linkage-Shutter-Magmaster 65-ZP
44	1	5200-6700	Machined-Axle-Gearbox Drive-Magmaster-Black
45	1	5270-0003	Nipple-Grease-Straight-Short-M6-ZP
46	1	6100-4820	Pin-Locking-6x50mm-ZP
47	1	6100-4840	Pin-Locking-8x45mm-Snapon Pipe-ZPG
48	1	6500-4201	Profiled-Index-Plate-MAG/130L/165L Spreader-ZP
49	1	6500-7800	Profiled-Shutter-Magmaster-Spreader-Stainless

50	1	6500-9000	Profiled-Washer-Spinner Shaft-34.9x67x2mm-Stainless 304
51	1	7500-2000	Rota-Hinge-LH-SM70/75
52	1	7500-2010	Rota-Hinge-RH-SM70/75
53	1	7500-2180	Rota-Hopper-Spreader-Magmaster -Yellow-MDPE
54	1	7500-2520	Rota-Lid-Hopper-SM70/75L
55	2	7500-2590	Rota-Mudguard-MDPE-1/4 Circle
56	1	7500-2700	Rota-Shroud-Spreader Magmaster-Yellow-MDPE
57	1	8200-5000	Spinner-Magmaster 65-SS
58	1	8200-5100	Spinner-Mount-Magmaster 65-ZP
59	1	8250-1800	Spring-Compression-Crinkle Plate-ZP
60	1	8800-3800	Tow-Coupling-Handle-Double Ended-1 78 x 50mm-ZP
61	1	9200-8610	Wheel-Turf-DRILLED-DRIVE-18x750x8-Tubeless
62	1	9200-8600	Wheel-Turf-Bearing-18x750x8-Tubeless