

PARTS LIST



C-DIT 650 SPREADER

Previously known as C-Dax Spreadmaster.



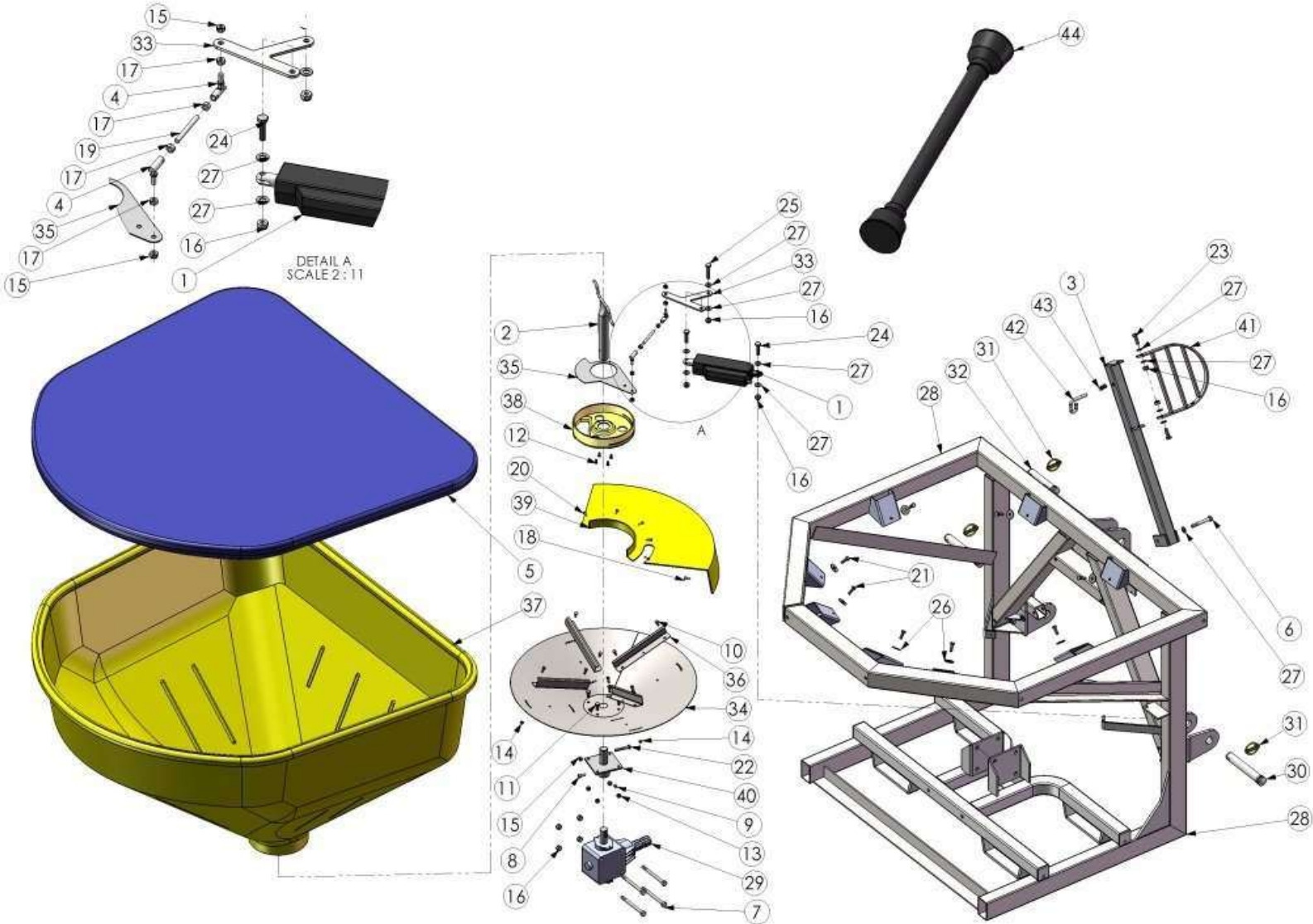
P 0800 853 002
E info@yelo-agri.com
W www.yelo-agri.com

PARTS & SUPPORT

For parts and service support, contact your authorised Yelo store or visit our website for store locations. If you need further assistance, we are only a phone call or email away. Parts list included.



EXPLODED PARTS DIAGRAM – C-DIT 650 LINKAGE



PARTS LIST – C-DIT 650 LINKAGE

Item No.	QTY	Part No	Description
1	1	1010-2391	Actuator-Electrical-Smart Control-With Plug fitted
2	1	1036-8240	Agitator-Spreader-CDIT300/400-In-Ex300/400-SS
3	1	1072-7500	Arm-Step-Goldline-800/1000L-GL
4	2	1110-2308	Ball-End-Internal Thread-M8-Zinc Plated
5	1	2250-4106	Cover-Hopper-Fabric-Spreader CDIT650
6	1	2840-1075	Fastener-Bolt&Nut-Hex-8.8 Grade-M10x75-ZP
7	4	2840-1120	Fastener-Bolt&Nut-Hex-8.8 Grade-M10x120-ZP
8	1	2880-0816	Fastener-Cap Head-Allen Screw-M8x16-316-Stainless
9	1	3010-0810	Fastener-Grub Screw-Socket Head-M8x10-Stainless
10	8	3075-0616	Fastener-Set-Screw-Hex-304 Grade-M6x16-Stainless
11	4	3075-0820	Fastener-Set-Screw-Hex-304 Grade-M8x20-Stainless
12	4	3110-0512	Fastener-Machine-Screw-Pan-M5x12-Pozi-ZP
13	4	3130-0108	Fastener-Nut-Nyloc-M8-Stainless Steel
14	8	3170-0006	Fastener-Nut-Nyloc-M6-ZP
15	11	3170-0008	Fastener-Nut-Nyloc-M8-ZP
16	10	3170-0010	Fastener-Nut-Nyloc-M10-ZP
17	4	3180-0008	Fastener-Nut-Plain-M8-ZP
18	2	3240-0018	Fastener-Rivet-Blind-Truss Head-3/16x18mm-Aluminium
19	1	3250-0008	Fastener-Rod-Threaded-4.6 Grade-M8-ZP
20	5	3280-1034	Fastener-Self Tap-Screw-Pan-10Gx3/4"-Pozi-ZP
21	8	3290-0825	Fastener-Set Screw-Hex-M8x25-316-SS
22	1	3290-0850	Fastener-Set Screw-Hex-8.8 Grade-M8x50-ZP
23	2	3290-1030	Fastener-Set Screw-Hex-8.8 Grade-M10x30-ZP

24	2	3290-1040	Fastener-Set Screw-Hex-8.8 Grade-M10x40-ZP
25	1	3290-1050	Fastener-Set Screw-Hex-8.8 Grade-M10x50-ZP
26	8	3310-2810	Fastener-Washer-Flat-M10x32x2.5-Grade 316-Stainless
27	13	3310-6010	Fastener-Washer-Flat-M10-ZP
28	1	3500-0290	Frame-3PL-CDIT650-GL
29	1	3800-1210	Gearbox-Ferroni-RV010-L-Ratio 1:1-1-3/8 PTO input-25mm Output
30	2	6100-1100	Pin-Bottom Link-3 Point Linkage-ZPG
31	3	6100-4700	Pin-Linch-3 Point Linkage-ZPG
32	1	6100-8400	Pin-Top Link-3 Point Linkage-ZPG
33	1	6500-1055	Profiled-Actuator Pivot Plate-CDIT650-Stainless Steel
34	1	6500-2165	Profiled-Disc-Spinner-Base-FORMED-CDIT 1300-Spreader-Stainless
35	1	6500-7770	Profiled-Shutter-CDIT300/400,165L-Spreader-Stainless
36	4	6500-8955	Profiled-Vane-Spinner-Spreader-CDIT 1300-Stainless
37	1	7500-2166	Rota-Hopper-Spreader-CDIT650-Yellow-MDPE
38	1	7500-2830	Rota-Spout-Spreader-CDIT400GT-Yellow-MDPE
39	1	7970-8120	Shroud-Spreader CDIT650-MDPE-Yellow
40	1	8200-5200	Spinner-Mount-CDIT300/400/INEX300-ZP
41	1	8400-3800	Step-Goldline-800/1000L-GL
42	1	8800-1720	Tow-Coupling-Pin-P-Catch-10mm-ZPG
43	1	8800-1730	Tow-Coupling-Spring-Compression-ZP
44	1	2600-1000	Drive Shaft-16HP-1000mm Long-Sheilded