

# PARTS LIST



## C-DIT 165 SPREADER

*Previously known as C-Dax Spreadmaster.*



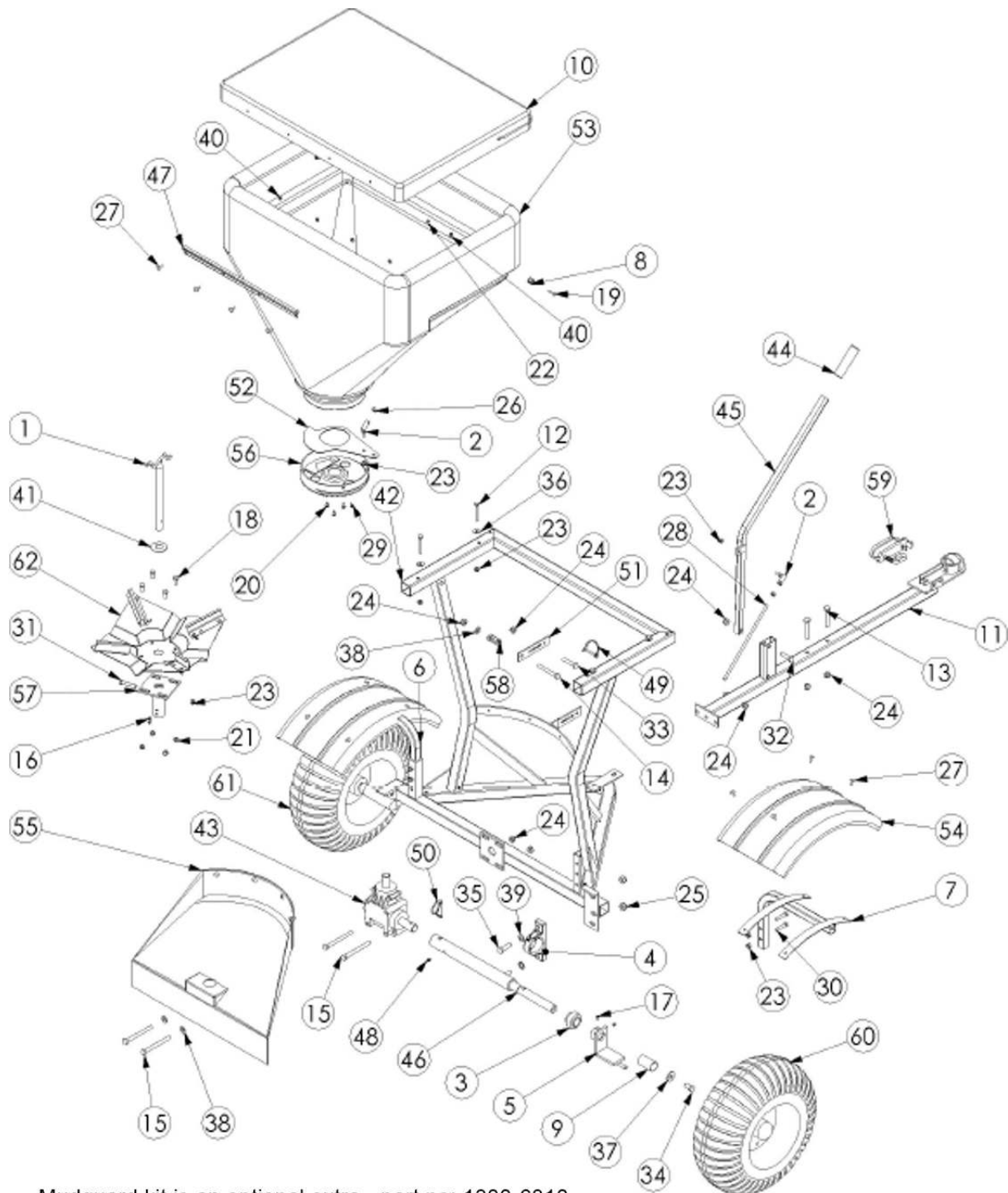
**P** 0800 853 002  
**E** [info@yelo-agri.com](mailto:info@yelo-agri.com)  
**W** [www.yelo-agri.com](http://www.yelo-agri.com)

### PARTS & SUPPORT

For parts and service support, contact your authorised Yelo store or visit our website for store locations. If you need further assistance, we are only a phone call or email away. Parts list included.



## EXPLODED PARTS DIAGRAM – C-DIT 165 SPREADER



Mudguard kit is an optional extra - part no: 1300-6810

## PARTS LIST – C-DIT 165 SPREADER

Item No.	QTY	Part No	Description
1	1	1036-8223	Agitator-Spreader-165L/Magmaster 165-SS
2	2	1110-2308	Ball-End-Internal Thread-M8-Zinc Plated
3	1	1140-1200	Bearing-Ball-Pillow Block-Drive Axle-Spreaders
4	1	1140-4000	Bearing-Housing-Pillow Block-Drive Axle-Spreaders
5	1	1300-4100	Bracket-Drive-130L/MAG/165L-Spreaders-ZP
6	1	1300-6800	Bracket-Mudguard-CDIT300/400/MM165-LH-GL
7	1	1300-6801	Bracket-Mudguard-CDIT300/400/MM165-RH-GL
8	2	1455-8800	Button-Ute Cover-Bungy Cord Retain-Black-Plastic
9	1	2250-1000	Cover-Axle Shaft-Spreader 130L/165L/Magmaster-PVC
10	1	2250-4150	Cover-Hopper-Silver Fabric-Spreader130/165
11	1	2550-8203	Drawbar-Spreader 165L/Magmaster 165-GL
12	4	2810-0860	Fastener-Bolt&Nut-Hex-304 Grade-M8x60-Stainless
13	2	2840-1065	Fastener-Bolt-Hex-8.8 Grade-M10x65-ZP
14	1	2840-1080	Fastener-Bolt&Nut-Hex-8.8 Grade-M10x80-ZP
15	4	2840-1110	Fastener-Bolt&Nut-Hex-8.8 Grade-M10x110-ZP
16	2	3010-0810	Fastener-Grub Screw-Socket Head-M8x10-Stainless
17	2	3010-5200	Fastener-Grub Screw-Socket Head-3/8x3/8-Stainless
18	4	3075-0820	Fastener-Set-Screw-Hex-304 Grade-M8x20-Stainless
19	2	3090-0200	Fastener-Machine-Screw-3/16"x1"-Slot-Stainless
20	3	3110-0512	Fastener-Machine-Screw-Pan-M5x12-Pozi-ZP
21	4	3130-0108	Fastener-Nut-Nyloc-M8-Stainless Steel
22	2	3160-5101	Fastener-Nut-Nyloc-3/16 UNC-Stainless
23	11	3170-0008	Fastener-Nut-Nyloc-M8-ZP

24	9	3170-0010	Fastener-Nut-Nyloc-M10-ZP
25	2	3170-0012	Fastener-Nut-Nyloc-M12-ZP
26	2	3180-0008	Fastener-Nut-Plain-M8-ZP
27	16	3240-0018	Fastener-Rivet-Blind-Truss Head-3/16x18mm-Aluminium
28	1	7400-8100	Rod-Threaded-165 Linkage-ZP
29	2	3270-8012	Fastener-Self Tap-Screw-CSK-8Gx1/2"-Pozi-Stainless
30	4	3290-0840	Fastener-Set Screw-Hex-8.8 Grade-M8x40-ZP
31	1	3290-0850	Fastener-Set Screw-Hex-8.8 Grade-M8x50-ZP
32	1	3290-1040	Fastener-Set Screw-Hex-8.8 Grade-M10x40-ZP
33	1	3290-1050	Fastener-Set Screw-Hex-8.8 Grade-M10x50-ZP
34	1	3290-1225	Fastener-Set Screw-Hex-8.8 Grade-M12x25-ZP
35	2	3290-1240	Fastener-Set Screw-Hex-8.8 Grade-M12x40-ZP
36	4	3310-2809	Fastener-Washer-Flat-M8x22x1.5-Grade 316-Stainless
37	1	3310-5012	Fastener-Washer-Flat-Heavy-M12x32x3-Galv
38	3	3310-6010	Fastener-Washer-Flat-M10-ZP
39	2	3310-6012	Fastener-Washer-Flat-M12-ZP
40	6	3310-9200	Fastener-Washer-Flat-3/16"x1/2"x1.5-Grade 304-Stainless
41	1	3310-9750	Fastener-Washer-Flat-23.5x2"x1.5-Grade 304-Stainless
42	1	3500-5305	Frame-Spreader-MM/In-Ex 165L-GL
43	1	3800-2000	Gearbox-Ferroni-RV12-2-6-Ratio 1 to 3.25
44	1	3865-3800	Grip-Handle-7/8"-PVC-Black-Plastic
45	1	4050-8105	Handle-Spreader 165L/Mag 165-ZP
46	1	5200-6700	Machined-Axle-Gearbox Drive-Magmaster-Black
47	1	5245-4010	Mount-Hopper Cover-Spreader 130L/165L/Magmaster 165-AL
48	1	5270-0003	Nipple-Grease-Straight-Short-M6-ZP
49	1	6100-4820	Pin-Locking-6x50mm-ZP

50	1	6100-4840	Pin-Locking-8x45mm-Snapon Pipe-ZPG
51	1	6500-4201	Profiled-Index-Plate-MAG/130L/165L Spreader-ZP
52	1	6500-7770	Profiled-Shutter-CDIT300/400
53	1	7500-2185	Rota-Hopper-Spreader-Magmaster 165L-Yellow-MDPE
54	2	7500-2590	Rota-Mudguard-MDPE-1/4 Circle
55	1	7500-2705	Rota-Shroud-Spreader Magmaster 165L-Yellow-MDPE
56	1	7500-2830	Rota-Spout-Spreader-CDIT400GT-Yellow-MDPE
57	1	8250-5305	Spinner-Mount-Spreader 165L/Magmaster 165-ZP
58	1	8250-1800	Spring-Compression-Crinkle Plate-ZP
59	1	8800-3800	Tow-Coupling-Handle-Double Ended-1 7/8" x 50mm-ZP
60	1	9200-8610	Wheel-Turf- DRILLED-DRIVE -18x750x8-Tubeless
61	1	9200-8600	Wheel-Turf-Bearing-18x750x8-Tubeless
62	1	8200-1030	Spinner Assembly-Spreader-Magmaster 165-SS