

# PARTS LIST



## WEED WIPER

4.5M ELIMINATOR



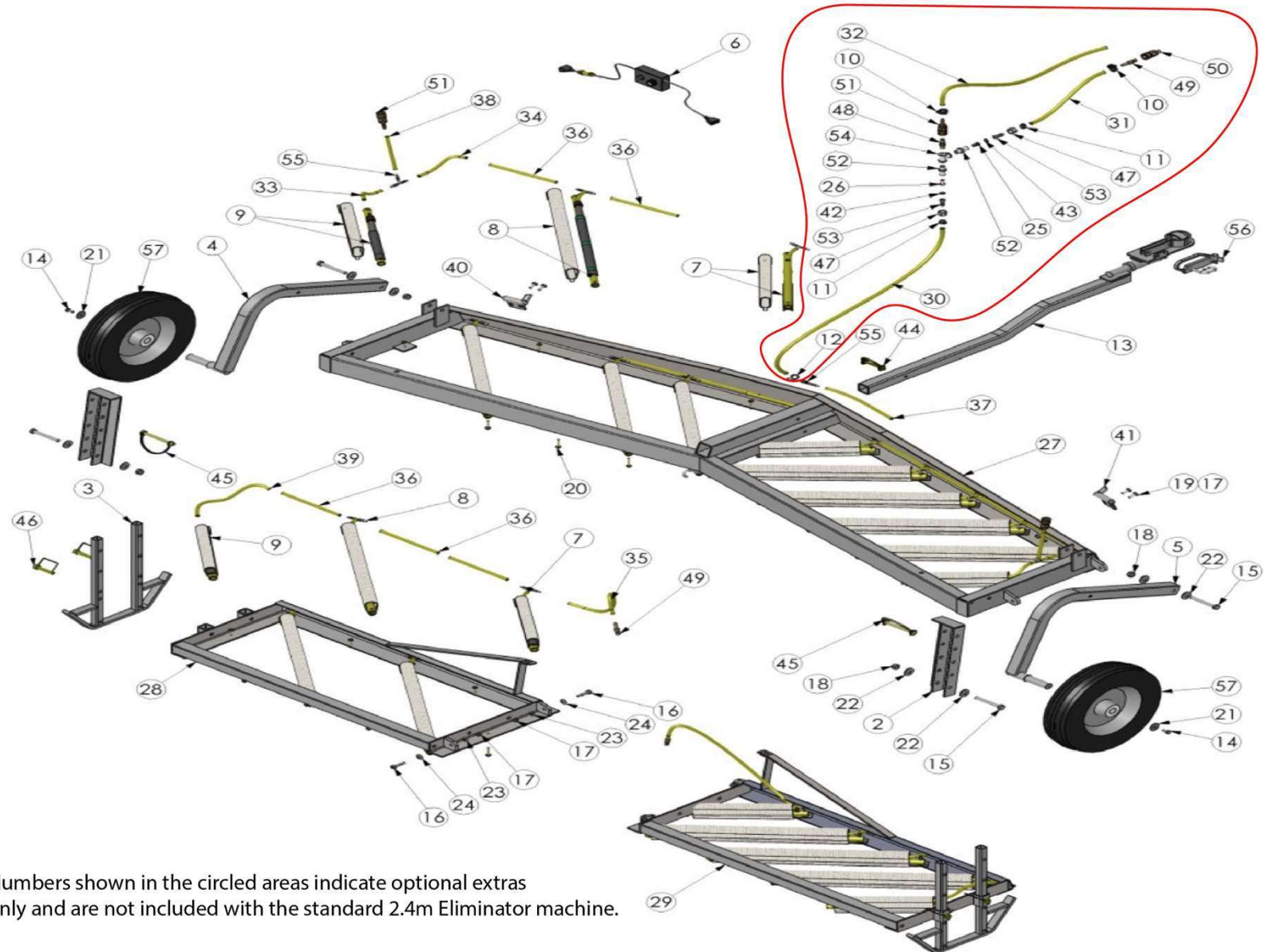
**P** 0800 853 002  
**E** [info@yelo-agri.com](mailto:info@yelo-agri.com)  
**W** [www.yelo-agri.com](http://www.yelo-agri.com)

### PARTS & SUPPORT

For parts and service support, contact your authorised Yelo store or visit our website for store locations. If you need further assistance, we are only a phone call or email away. Parts list included.



## EXPLODED PARTS DIAGRAM – 4.5M ELIMINATOR WEED WIPER



## PARTS LIST – 4.5M ELIMINATOR WEED WIPER

Item No.	QTY	Part No	Description
1	1	1018-3920	Adjuster-Height-Eliminator-LH-ZP
2	1	1018-3921	Adjuster-Height-Eliminator-RH-ZP
3	2	1018-3940	Adjuster-Height-Eliminator WING SKID-GL
4	1	1082-2400	Axle-Eliminator G2-LH-ZP
5	1	1082-2401	Axle-Eliminator G2-RH-ZP
6	1	1500-4300	Cable-Electrical-Loom-Eliminator-Control Box
7	4	1700-1300	Carpet-Wiper Assembly-Eliminator-Inner-300mm
8	14	1700-1530	Carpet-Wiper Assembly-Eliminator-530mm
9	4	1700-2300	Carpet-Wiper Assembly-Eliminator-Outer-300mm
10	2	2000-0013	*Clamp-Hose-Herbi-E-Ratchet-13.1<>15.1mm-Black-Nylon
11	2	2000-2014	*Clamp-Hose-Oetiker-Single Ear Stepless-14.5<>7.0mm-S/S
12	1	2000-4008	*Clamp-Hose-Worm Drive-Jubilee-8mm-Stainless
13	1	2550-2300	Drawbar-Eliminator-ZP
14	2	2840-0816	Fastener-Bolt&Nut-Hex-8.8 Grade-M8x16-ZP
15	4	2840-1290	Fastener-Bolt&Nut-Hex-8.8 Grade-M12x90-ZP
16	4	3077-1025	Fastener-Shoulder Bolt-Cap Head-Socket-M8x10x25-ZP
17	8	3170-0008	Fastener-Nut-Nyloc-M8-ZP
18	4	3170-0012	Fastener-Nut-Nyloc-M12-ZP
19	4	3290-0820	Fastener-Set Screw-Hex-8.8 Grade-M8x20-ZP
20	44	3300-6100	Fastener-Tek Screw-Hex-12Gx40-Hitek-Fully Threaded-ZP
21	2	3310-3008	Fastener-Washer-Flat-Fender-M8x32x1.5-ZP
22	8	3310-5012	Fastener-Washer-Flat-Heavy-M12x32x3-Galv
23	4	3310-6008	Fastener-Washer-Flat-M8-ZP

24	4	3310-6010	Fastener-Washer-Flat-M10-ZP
25	1	3400-5400	*Filter-Nozzle Tip-50 Mesh-Plastic
26	1	3400-5410	*Filter-Nozzle-Tip-Incl Check Valve-50Mesh-5PSI-SS Ball-Plastic
27	1	3500-7500	Frame-Wiper-Eliminator-Winged-GL
28	1	3500-7600	Frame-Wiper-Eliminator Wing-LH-GL
29	1	3500-7601	Frame-Wiper-Eliminator Wing-RH-GL
30	1	4100-0008	*Hose-Spray-Delivery-40 Bar-8.5mm ID-Yellow
31	1	4100-0008	*Hose-Spray-Delivery-40 Bar-8.5mm ID-Yellow
32	1	4100-0008	*Hose-Spray-Delivery-40 Bar-8.5mm ID-Yellow
33	2	4100-1006	Hose-Spray-Delivery-7 Bar-6mm ID-Yellow
34	2	4100-1006	Hose-Spray-Delivery-7 Bar-6mm ID-Yellow
35	1	4100-1006	Hose-Spray-Delivery-7 Bar-6mm ID-Yellow
36	14	4100-1006	Hose-Spray-Delivery-7 Bar-6mm ID-PVC
37	1	4100-1006	Hose-Spray-Delivery-7 Bar-6mm ID-PVC (300 Long)
38	2	4100-1006	Hose-Spray-Delivery-7 Bar-6mm ID-PVC
39	2	4100-1006	Hose-Spray-Delivery-7 Bar-6mm ID-PVC
40	1	4680-2300	Latch-Eliminator Wing-LH-ZP
41	1	4680-2301	Latch-Eliminator Wing-RH-ZP
42	1	5300-4900	*Nozzle-Plate-Teejet-Orifice-0.052in-SS
43	1	5300-5100	*Nozzle-Plate-Teejet-Orifice-0.063in-SS
44	1	6100-4780	Pin-Locking-10x57mm-ZP
45	2	6100-4800	Pin-Locking-11x100mm-ZP
46	4	6100-4805	Pin-Locking-SQUARE-11x54x40mm-ZP
47	2	6200-5550	*Pipe-Fitting-Nut-Swivel-11/16UNFF-Plastic
48	1	6200-7200	*Pipe-Fitting-Quick Release-Male Connectorx1/4BSPM-Brass
49	3	6200-7210	*Pipe-Fitting-Quick Release-Male Connectorx8.5 Shank-Brass

50	1	6200-7240	*Pipe-Fitting-Quick Release-Valve-1/4BSPM-Brass
51	3	6200-7250	*Pipe-Fitting-Quick Release-Valve-Stopx8.5 Shank-Brass
52	2	6200-7380	*Pipe-Fitting-Reducer-11/16UNCMx1/4UNFM-Straight-Plastic
53	2	6200-8220	*Pipe-Fitting-Straight-10 Shank-Swivel-Suit Fly Nut-Plastic
54	1	6200-9100	*Pipe-Fitting-Tee-1/4BSPFx1/4BSPFx1/4BSPF-Plastic
55	3	6200-9130	Pipe-Fitting-Tee-6 Shankx6 Shankx6 Shank-Plastic
56	1	8800-3800	Tow-Coupling-Handle-Double Ended-1 7/8" x 50mm-ZP
57	2	9200-7500	Wheel-Ribbed-350x8-4 Ply-3 Ribs-BW Series

*\* Items marked with an asterisk are optional extras and are only supplied if ordered.*